

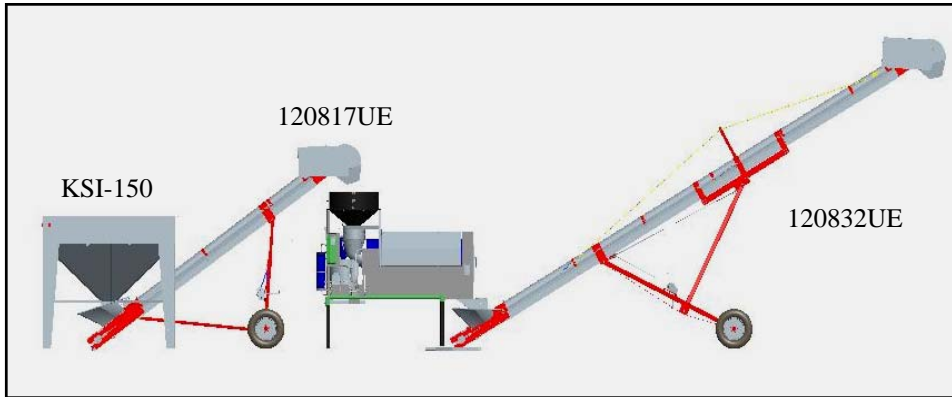


CONVEYORS INC

SALES CONTACT:
Cissna Park, IL
Sabetha, KS

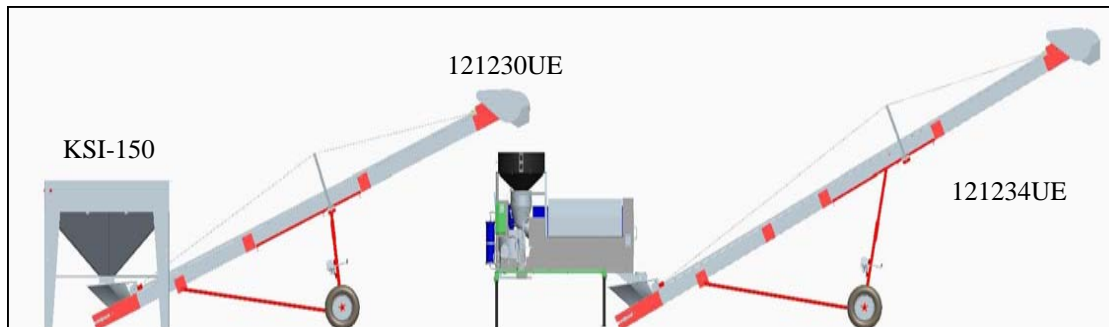
Telephone:
888-574-2668
888-574-3277

Website www.ksiconveyors.com
Email sales@ksiconveyors.com



Treater/Conveyor Deluxe System

- **150 Unit Hopper** (Scale, Printer, Hopper & Leg Extensions available)
- **Cleated Belt Tube Conveyors** (12" Cleated Belt, 8" Tube, Optional Lengths, Completely Enclosed, Bottom Cleanout, 5 HP Motor)
- **USC Treater** (LP800 or LP2000)



Treater/Conveyor Standard System

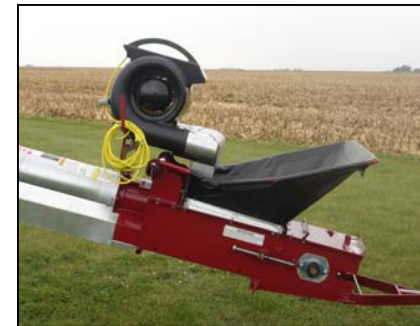
- **150 Unit Hopper** (Scale, Printer, Hopper & Leg Extensions available)
- **Series III Conveyors** (12" Cleated Belt, Formed U-Trough Design, Completely Enclosed, Bottom Cleanout Door, 5 HP Motor)
- **USC Treater** (LP800 or LP2000)

FOB Cissna Park, IL or Sabetha. KS

US Patent No. US 6,170,646 & 6,675,958

Seed Handling Equipment

- Professionally Designed
- Portable or Stationary Conveyors
- Dump Hoppers (Surge or Scale Options)
- Dryer Kit, Talc Applicator-110 Volt AC
- Seed Ladder-Cushion flow let down



Dryer Kit



Talc Applicator



Seed Ladder

*Quality Product
Moving
Quality Product*